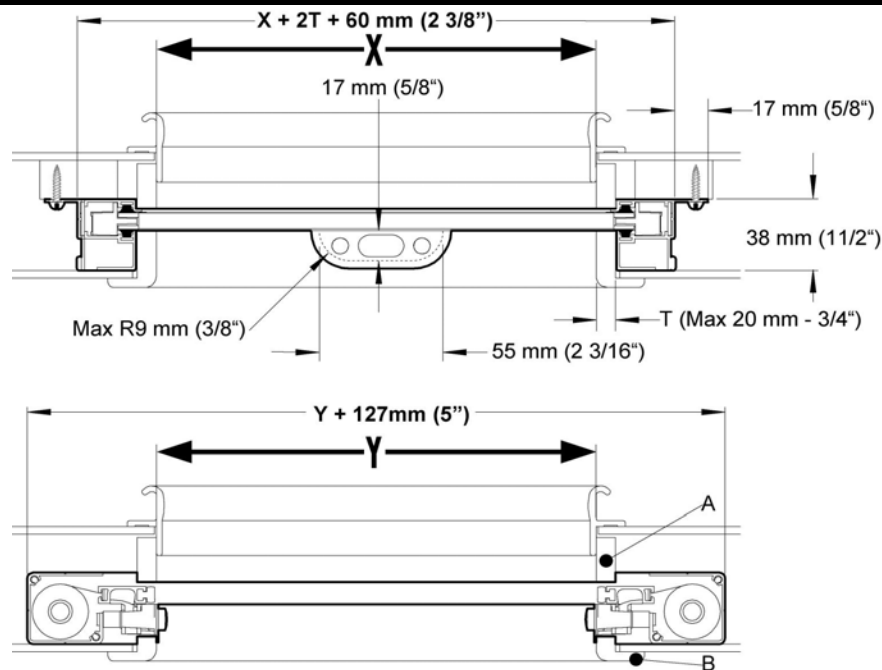


# Concealed SKYscreen<sup>2</sup>

## Technical Sheet 37

### General Arrangement Drawing



### Install Design Points

- The Concealed SKYscreen2 has no visible design impact on the yachts interior
- Handle recess cut out of trim – template supplied
- The blind and flyscreen emerge from a 10mm (<sup>3</sup>/<sub>8</sub>) slot in the hatch liner
- Flyscreen brushstrip top and bottom of the track
- The side rails are designed to support the headlining panel and hatch trims

### Custom

- Overall size - width  $X + 2T + 94\text{mm}$  ( $3\frac{3}{4}$ "), drop  $Y + 127\text{mm}$  (5"), height  $47.5\text{mm}$  ( $1\frac{7}{8}$ ")
- If the 'Y' measurement exceeds the 'X' measurement by more than 30%, please contact Oceanair before ordering
- Blind size : minimum X & Y is  $200/200\text{mm}$  ( $7\frac{7}{8}$ " by  $7\frac{7}{8}$ "), maximum X & Y is  $800/800\text{mm}$  ( $31\frac{1}{2}$ " by  $31\frac{1}{2}$ "). For larger sizes contact Oceanair
- Other fabrics on application

### How to Order

- Standard size : Lewmar Ocean range with liner not exceeding  $20\text{mm}$  ( $\frac{3}{4}$ ")
- Use custom order form for all sizes

### Technical Specification

- Aluminium is anodised to 25 microns joined by stainless steel corner brackets
- Nylon brush strip
- Button housing available in chrome, dark grey and white. The button is always light grey
- Magnetic strip – corrosion free and maximum  $75\text{mm}$  (3") magnetic field
- Standard fabric: Solar Shield off-white polyester blackout water repellent fabric
- Flyscreen – glass fibre mesh PVC coated flyscreen in white

Oceanair Marine Limited Chichester PO20 0AY England

t +44 (0)1243 606909 f +44 (0)1243 608300 www.oceanair.co.uk e TechSupport@oceanair.co.uk