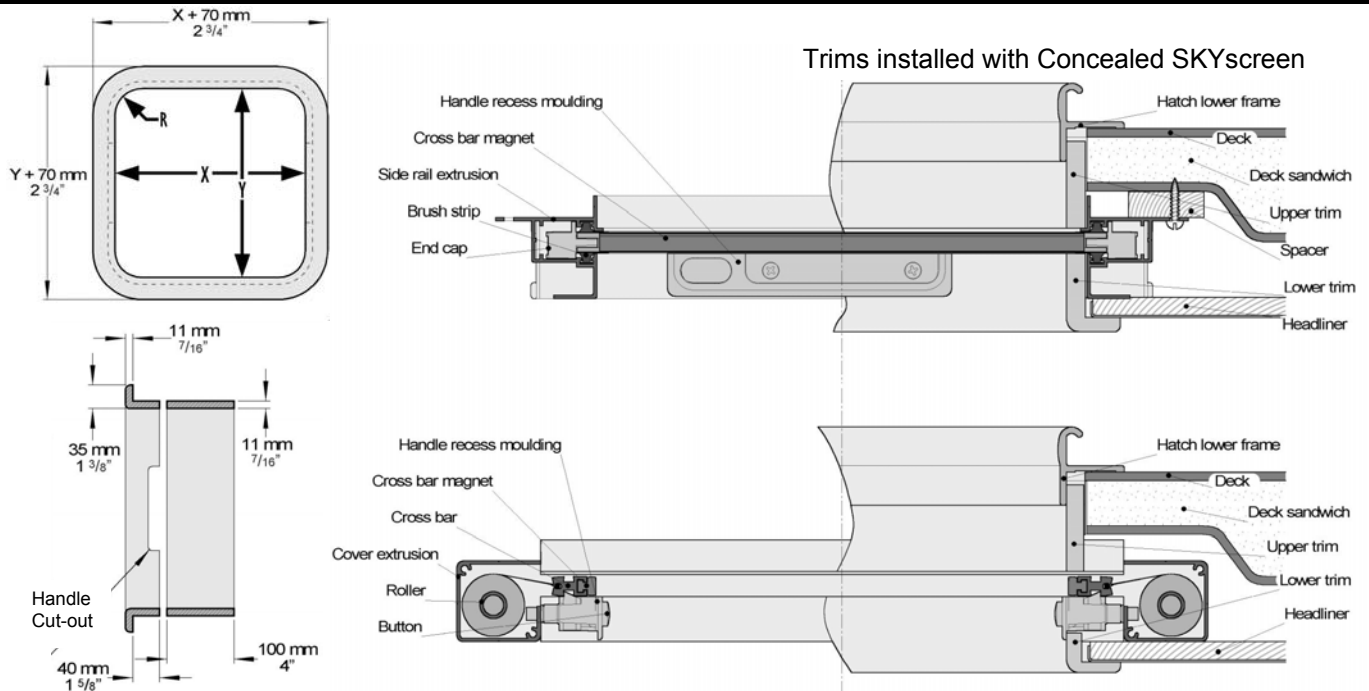


Concealed SKYscreen Trims

Wood - Technical Sheet 11

Wood trims are upper and lower hatch tunnel trims designed to complement our Concealed SKYscreen. They may be supplied as a matching set or individually - they are not fitted to the Concealed SKYscreen

General Arrangement Drawing



Install Design Points

- Maximum depth of deck for system complete with Concealed SKYscreen 200mm (7⁷/₈"
- Upper liner standard height 100 mm - also available as 150 mm
- Trim wall thickness is 11mm (3³/₈"
- Lower trim is supplied with Concealed SKYscreen handle cut outs. Trim height of 40mm (1¹/₂") will allow a maximum headlining thickness of 15mm (9⁹/₁₆"
- Trim flange on two parallel sides can be curved with a 7mm (1¹/₄") or 14mm (9⁹/₁₆" depth of camber, irrespective of length. This option is available for contract quantities, contact the factory.

Sizes

- Maximum dimensions X / Y 800/800mm (31¹/₂"/31¹/₂"
- Standard upper trim height 100mm (3⁷/₈"), optional maximum height 150mm (5⁷/₈")
- Three veneer choices, Mahogany, Teak, Cherry.
- Internal corner radius options: 100mm, 70mm, 63mm, 50mm, 42.8mm 36mm (3⁷/₈" , 2³/₄" , 2¹/₂" , 2" , 1⁵/₈" , 1³/₈") and 31mm (1¹/₄") with vertical veneer.

How to Order

- Please complete Custom Order Form. Also see Concealed SKYscreen Order Form which is required at the same time
- Trims may be ordered as a set or as separate items - e.g., lower or upper frame only. Either trim may be used with corresponding aluminium trim parts

Technical Specification

- Wood grain runs horizontally around Trim. Edges are capped so no end grain is visible
- Standard veneer grain runs horizontally. If corner radius is less than 36mm (1⁷/₁₆"), grain must be vertical
- Trims supplied sanded but unvarnished suitable for staining by customer if required
- Construction is laminated with Resorcinol glue throughout for durability and stability
- Trims manufactured to a tolerance of +/-1mm

Caution

- Wood is a natural material and varies in grain and colour

Oceanair Marine Limited Chichester PO20 0AY England

Tele +44 (0)1243 606909 Fax +44 (0)1243 608300 www.oceanair.co.uk E-mail TechSupport@oceanair.co.uk