

# CUSTOM ORDER FORM

## Concealed SKYscreen Trim Kit

hatch lining trims for Concealed SKYscreens by **OCEANair**

- Manual - Also Complete Concealed SKYscreen Custom Order form  
 Powered - Also complete Powered Concealed SKYscreen Custom Order Form

Customer:	Is this an <b>Quote</b> or <b>Order</b> ?	Date:
Customer ref:	Quote <input type="checkbox"/>	Fax:
	Order <input type="checkbox"/> Order No	Tel:

Item	Width (X) <sup>1</sup>	Drop (Y) <sup>2</sup>	Hatch Cut Out Radius (R) <sup>3</sup>	Lower Trim Aluminium / Plastic Colour <sup>4</sup> ?	Upper Trim White PVC Liner ?	Required To Match <sup>5</sup> ?
1			<input type="checkbox"/> 43mm <input type="checkbox"/> 50mm	<input type="checkbox"/> White <input type="checkbox"/> Beige <input type="checkbox"/> Mill (unpainted)	<input type="checkbox"/> L - Short Liner <input type="checkbox"/> LX - Long Liner	<input type="checkbox"/> CSS Manual <input type="checkbox"/> CSS Powered <input type="checkbox"/> Hatch only
2			<input type="checkbox"/> 43mm <input type="checkbox"/> 50mm	<input type="checkbox"/> White <input type="checkbox"/> Beige <input type="checkbox"/> Mill (unpainted)	<input type="checkbox"/> L - Short Liner <input type="checkbox"/> LX - Long Liner	<input type="checkbox"/> CSS Manual <input type="checkbox"/> CSS Powered <input type="checkbox"/> Hatch only
3			<input type="checkbox"/> 43mm <input type="checkbox"/> 50mm	<input type="checkbox"/> White <input type="checkbox"/> Beige <input type="checkbox"/> Mill (unpainted)	<input type="checkbox"/> L - Short Liner <input type="checkbox"/> LX - Long Liner	<input type="checkbox"/> CSS Manual <input type="checkbox"/> CSS Powered <input type="checkbox"/> Other

<sup>1</sup> Width: minimum 258mm (10 1/4") with 42mm corner radius, and 280mm (11") with 50mm corner radius, maximum 800mm (31 1/2"). 'X' is handle side

<sup>2</sup> Drop: minimum 200mm (7 7/8"), maximum 800mm (31 1/2")

<sup>3</sup> R = Radius options 43mm (1 3/4") and 50mm (2") currently available

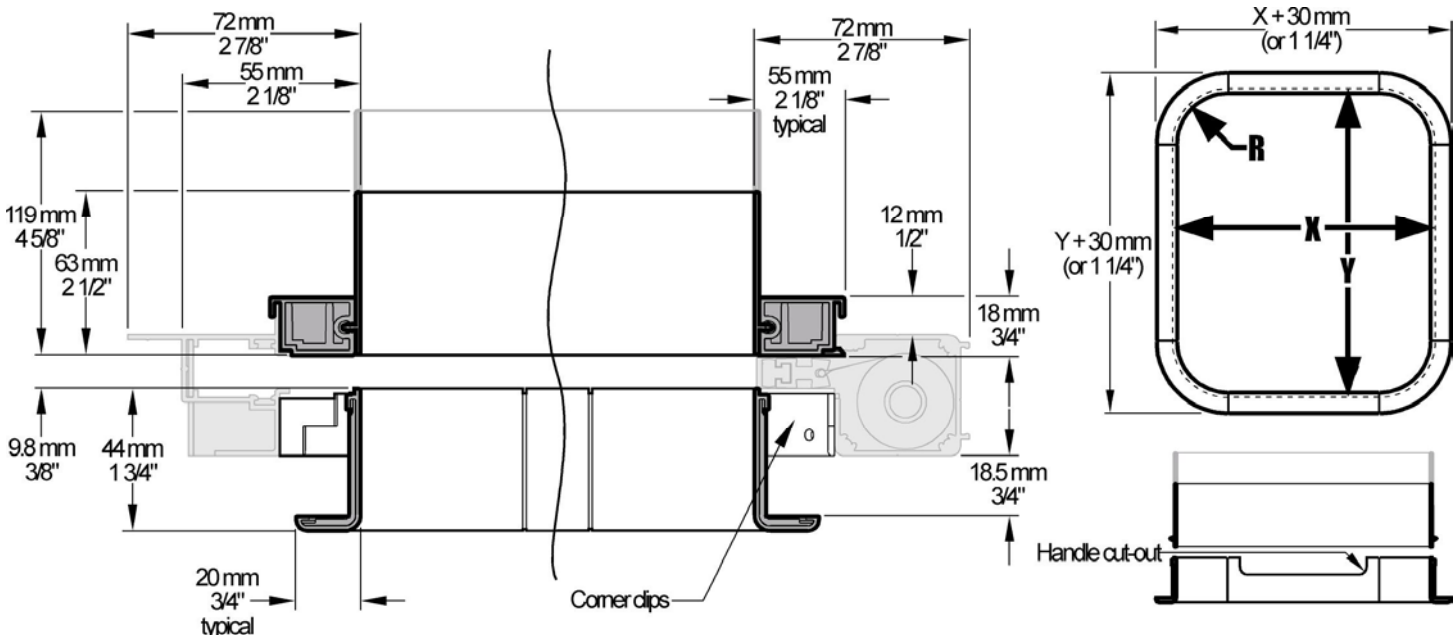
<sup>4</sup> Lower Trim available in White, Beige and Mill, Upper trim only available in RAL 9010

<sup>5</sup> Hatch only lower frame has no handle cut out

Carriage	
Sub Total	
VAT	
Total	
Job No	
Despatch Date	

### Notes:

- Maximum depth thickness is 172mm (6 3/4") for long upper liner, and 116mm (4 1/2") for short upper liner.
- When dimension 'X' exceeds 750mm, two handles are fitted as standard
- Trims ordered with Powered Concealed will not have handle cut-outs.
- If unit is ordered with upper trim Concealed SKYscreen **width** dimension 'X' is increased by 46 mm
- Trims must be ordered at the time of ordering Concealed SKYscreen as the specification of the Concealed is altered and upper support trim ring is installed at the factory.
- All imperial measurements are for information only to the nearest 1/8". Please order using metric measurement to ensure correct size.



Oceanair Marine Limited Chichester PO20 0AY England

Tel +44 (0)1243 606909 Fax +44 (0)1243 608300 www.oceanair.co.uk E-mail TechSupport@oceanair.co.uk