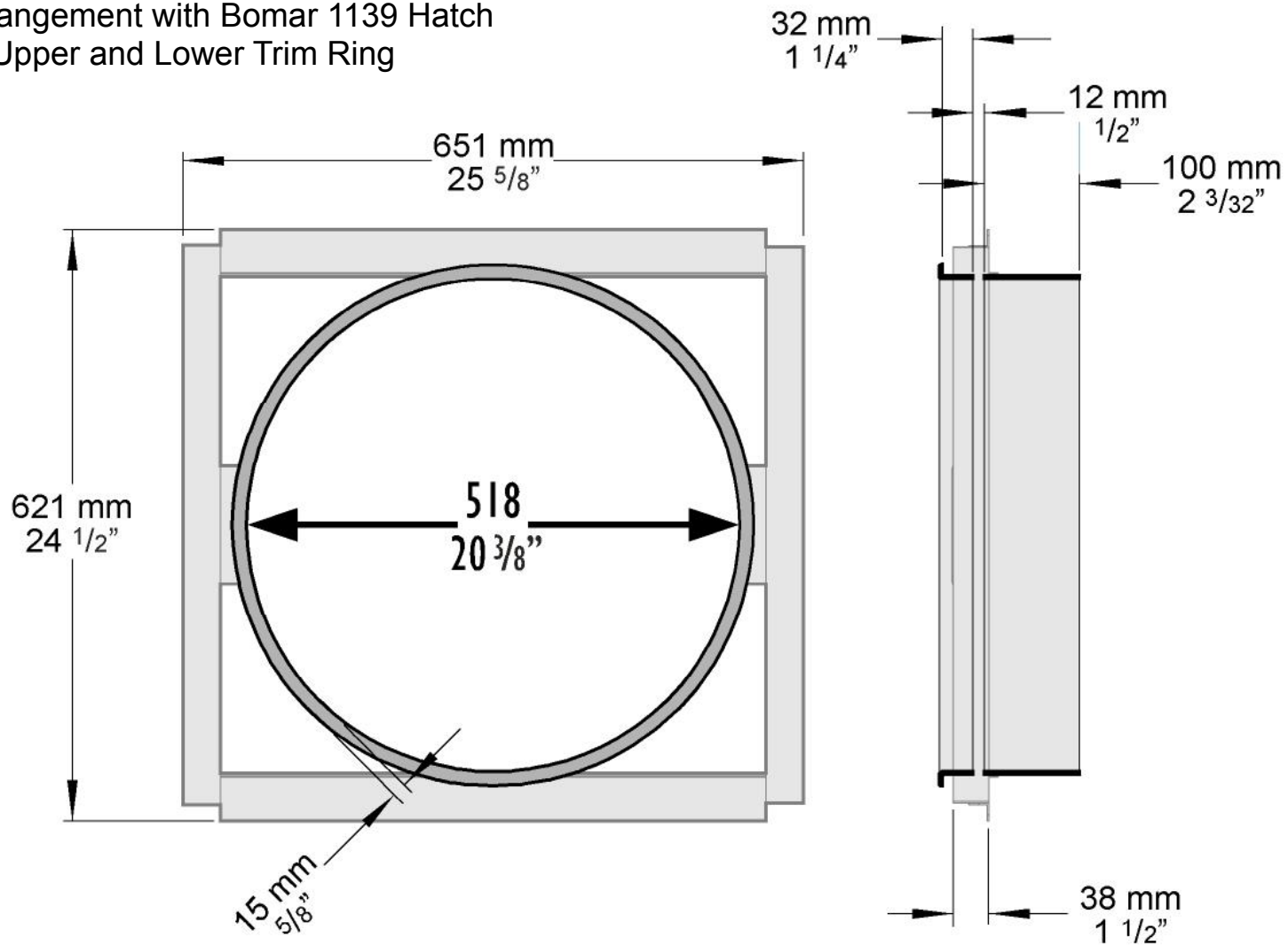


Round Concealed SKYscreen

General Arrangement with Bomar 1139 Hatch
Aluminium Upper and Lower Trim Ring



Oceanair Marine Ltd Chichester PO20 0AY England

Tel +44 (0)1243 606909 Fax +44 (0)1243 606909 www.oceanair.co.uk E-mail Tech Support@oceanair.co.uk