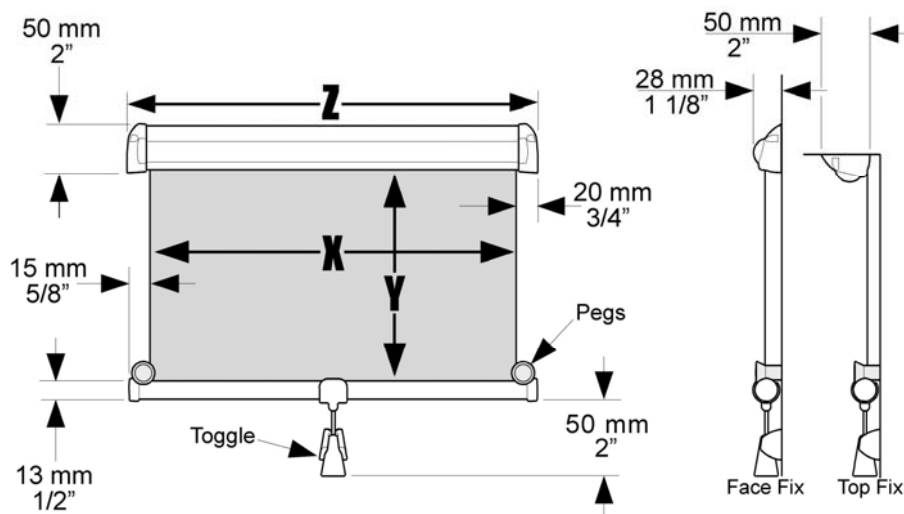


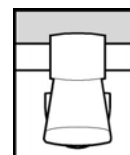
HATCHshade 2 - Technical Sheet 36

General Arrangement Drawing

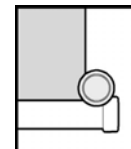


Hold Down Options

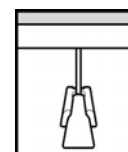
Mini Grip



Peg

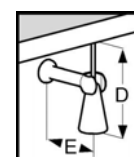


Toggle (standard)



Long Fix Toggle

D = 80 mm
E = 35 mm



Install Design Points

- Requires flat mounting surface
- Concealed screw fixing
- Can be mounted on a horizontal or vertical surface
- Blind can be pulled up, down or across
- Supplied with toggles and peg for choice of securing the cross bar

Custom

- Custom sizes and fabric are available on application
- Limited shaping is possible - see custom order form - top and bottom must be parallel
- Maximum drop with standard fabric 750mm (29 1/2") to max width 890mm (35"); or Maximum width with standard fabric 1090mm (42 7/8") to max drop of 590 (23 1/4") - refer to BIGshade for larger sizes. Maximum width/drop for other fabrics should be checked with factory prior to ordering.
- Blinds over 800 mm (31 1/2") wide have two hold downs
- Choice of hold down options – see above
- Colour options for the cassette are: white RAL 9016 or beige RAL 9001.
- Fabric choice: Solar Shield; White Odyssey, Rayure, Soltis - white mesh shade fabric with silver grey backing; or PVC in white, cream, grey, black.

How to Order

- To order refer the Z or X and Y measurements to the standard sizes or use our custom order form

Technical Specification

- Aluminium components are etched, alichromed and polyester powder coated
- Standard Solar Shield off-white polyester blackout water repellent fabric. Other fabric specifications subject to choice.

Oceanair Marine Limited Chichester PO20 0AY England

Tel +44 (0)1243 606909 Fax +44 (0)1243 608300 www.oceanair.co.uk E-mail TechSupport@oceanair.co.uk