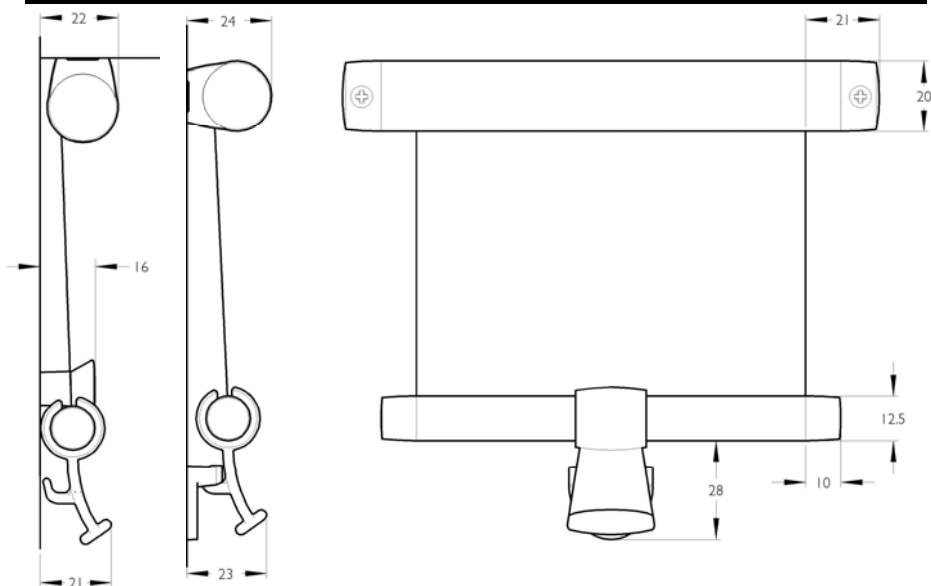
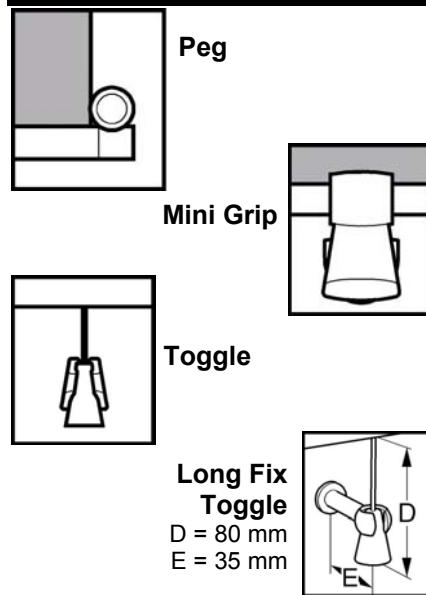


# PORTshade - Technical Sheet 10

## General Arrangement Drawing



## Hold Down Options



## Install Design Points

- Can be mounted on a horizontal and vertical surface - top or face fix options
- 4mm ( $\frac{1}{8}$ " ) clearance allowing for an uneven background
- Single screw fixing each end for quick OEM fit – screws provided
- When installed PORTshade is designed to clear 13mm ( $\frac{1}{2}$ " ) of portlight trim
- Choice of fixing for total flexibility

## Custom

- Maximum dimensions with standard fabric are width of 1000 mm ( $39\frac{3}{8}$ " ) and drop 320 mm ( $12\frac{5}{8}$ " )
- Blinds over 770 mm ( $31\frac{3}{8}$ " ) wide have two handles
- Choice of crossbar/handle options – see above
- Standard finish is silver anodised. Powder coat colours: beige RAL 9001 or white RAL 9016 and grey 7035 are also available at extra cost
- Standard plastic moulding is light grey
- Fabric Choice: Solar Shield, White Odyssey

## How to Order

- To order refer the Z or X and Y measurements to the standard sizes or use our custom order form

## Technical Specification

- Aluminium is silver anodised to 15 microns
- If polyester powder coated the aluminium components are etched & alichromed before coating
- Stainless steel recoil springs
- Standard Solar Shield off-white polyester blackout water repellent fabric. Other fabric specifications subject to choice.

Oceanair Marine Limited Chichester PO20 0AY England

Tel +44 (0)1243 606909 Fax +44 (0)1243 608300 www.oceanair.co.uk E-mail TechSupport@oceanair.co.uk