

CUSTOM ORDER FORM

SHOWERdoor

a unique door solution from **OCEANair**

Customer Name	Date
Address	Is this a Quote or an Order ? Please tick
	Quote <input type="checkbox"/>
	Order <input type="checkbox"/> Order No:
Tel	Fax

Item	Location	Aperture Width (X) ¹	Aperture Height (Y) ¹	Frame Colour	Custom Graphics ³	Left or Right Hand Draw? ²
1				<input type="checkbox"/> White <input type="checkbox"/> Beige	<input type="checkbox"/> Yes <input type="checkbox"/> No	<input type="checkbox"/> Right <input type="checkbox"/> Left
2				<input type="checkbox"/> White <input type="checkbox"/> Beige	<input type="checkbox"/> Yes <input type="checkbox"/> No	<input type="checkbox"/> Right <input type="checkbox"/> Left
3				<input type="checkbox"/> White <input type="checkbox"/> Beige	<input type="checkbox"/> Yes <input type="checkbox"/> No	<input type="checkbox"/> Right <input type="checkbox"/> Left

¹ X and Y are aperture size in bulkhead

² Indicate left or right hand draw when viewed from inside the shower. Diagram below shows left hand draw.

³ Custom graphics will be printed to be visible from outside the shower.

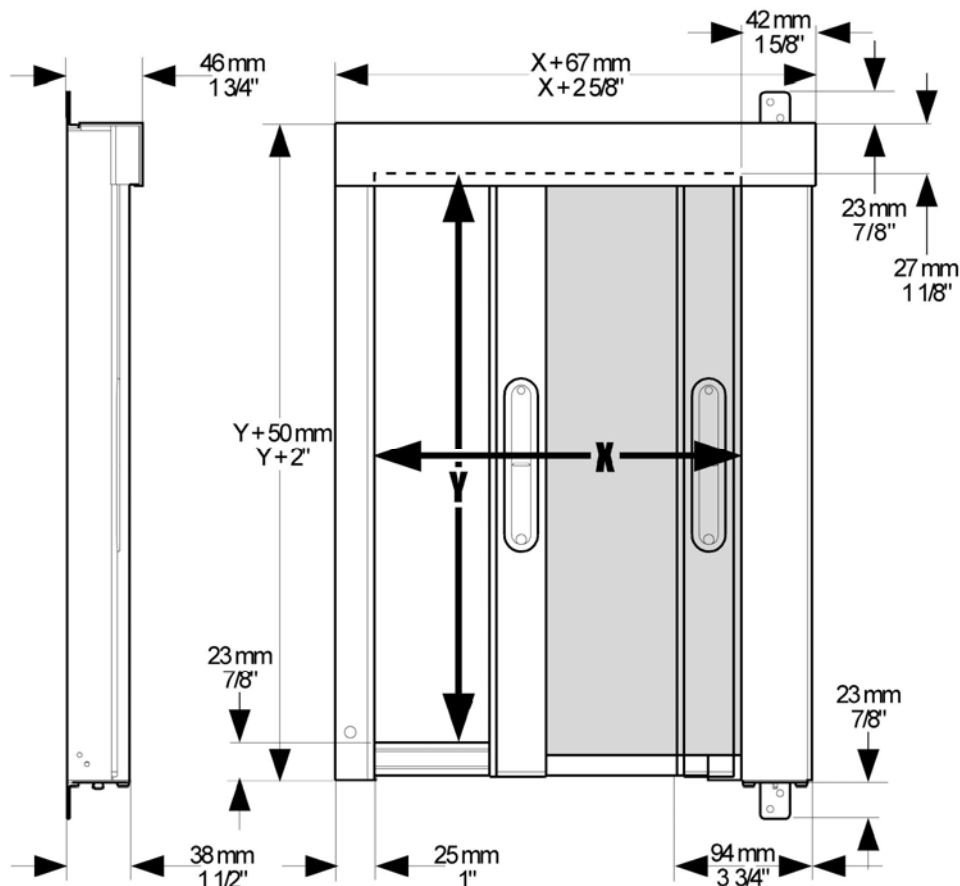
Note: Brackets protrude 23mm (7/8") top and bottom beyond overall measurement.

Walk through size is X less 52mm and Y less 8.5mm (X-2" and Y-3/8")

Dimensions converted to nearest 1/8" - if size critical order using metric measurements

Carriage	
Sub Total	
VAT	
Total	
Job No.	
Despatch Date	

Viewed from Inside Shower



Oceanair Marine Limited Chichester PO20 0AY England

t: +44 (0)1243 606909 f: +44 (0)1243 608300 www.oceanair.co.uk e: TechSupport@oceanair.co.uk