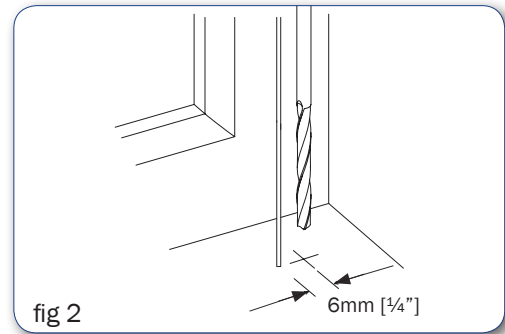
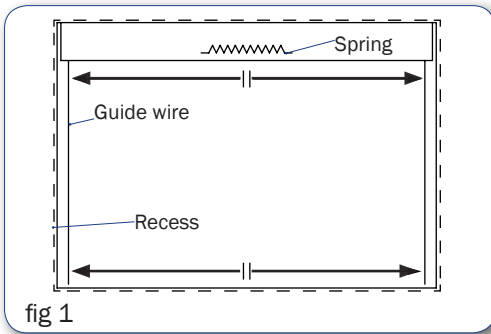
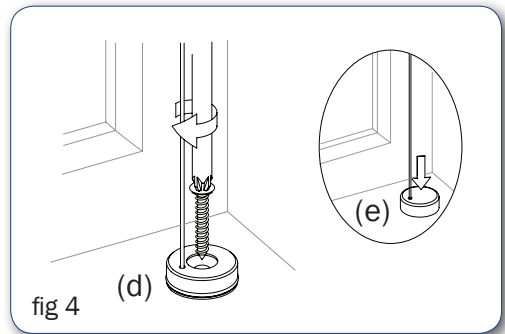
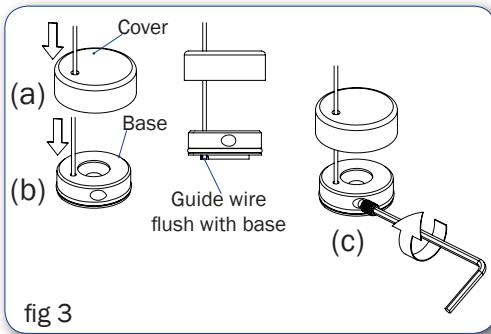


Read through instructions in full before commencing installation



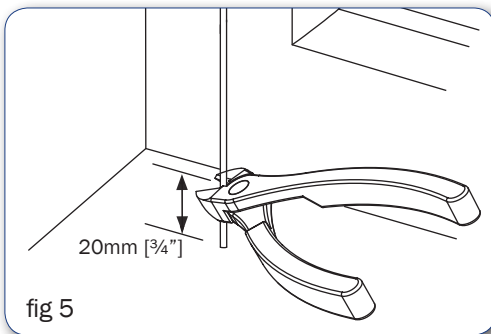
- 1. Confirm position of guide wires -**  
Before installing blind, position spring centrally in headrail at least 30mm away from obstructions \*\*. Install blind and ensure guide wires run vertically below headrail and are parallel to each other (fig 1.).

- With right hand guide wire in position, mark out and drill pilot hole (No 6 screw) for right hand hold down base as shown in fig 2.  
Note: Guide wire is on inboard side relative to base locating screw.



- (a) Thread guide wire through hole in cover, then (b) through hole in base making flush with bottom of base, (c) secure with grub screw (fig 3)

- (d) Fix base with CSK No.6 screw to cill and (e) push cover on. (fig 4 ).



- Hold left hand guide wire taut without extending spring and mark where it touches cill and cut 20mm [ $\frac{3}{4}$ "] short. (fig 5)  
(Note: For 50mm [2"] slat blinds cut guide wire 10mm short of cill on each side.)

- Repeat steps 2,3 & 4 for left hand side.
- Check slats and bottom rail can travel freely on guide wire and guide wires are taut.

\*\* Only on 25mm slat blinds